



坤宇溫室工程有限公司

KUNYU Greenhouse Engineering Co., Ltd.



佛山市順德區坤宇溫室工程有限公司

KUNYU Greenhouse Engineering Co., Ltd.

地址：廣東省佛山市順德區陳村花卉世界玉蘭路14號

14 YULAN ROAD, CHENCUN FLOWER WORLD, SHUNDE DISTRICT, FOSHAN CITY, GUANGDONG PROVINCE, CHINA

電話TEL:86-757-23335185,23337185

傳真FAX:86-757-23316402

網址WEB:www.kygreenhouse.com

郵箱EMAIL:kyws@vip.sina.com



臺灣坤宇溫室實業有限公司

KUNYU Greenhouse Enterprise Co., Ltd.

地址：臺灣嘉義縣六腳崩山村99號

NO.99 BENG SHAN TUSEN, LU CHIAO HSIANG, CHIAI HSIEN, TAIWAN, R.O.C

電話TEL:886-5-37816445

傳真FAX:886-5-3781643

網址WEB:www.kyws.com.cn

郵箱EMAIL:a3705267@ms64.hinet.net



17年匠心

COMPANY PROFILE



企業精神：引領科技 追求卓越
 經營理念：綠色 創新 安全
 服務理念：化繁為簡
 公司核心：幫助客戶由傳統農業向現代農業轉變，並且節省轉變成本

Enterprise spirit: Leading Science and Technology Seeking for Excellence
 Operation principle: Green Innovation Safe
 Service principle: Turning Intricacy into Simplification
 Core Company Principle: Helping our customers transform traditional agriculture to modern agriculture, cutting and changing costs.

坤宇溫室工程有限公司，20多年在臺灣的溫室技術及製作經驗，公司致力於專注於生產和銷售無土栽培設備，擁有多項新型專利發明。

核心產品：垂直種植系統、管道種植系統和荷蘭桶系統等水培產品。

主要經營：NFT系統，NFT PVC管道，立柱系統，荷蘭桶系統，LED植物補光燈等，所有設施均可以單獨使用或作為溫室模型。

我們的優勢：在世界上已經建立了一個總面積超過600萬平方米的種植系統，在行業上已得到一定的知名度并已在中國的省份該項目重大推廣應用城市和自治區。

主要市場有南歐、東歐、非洲、美國中部、北美洲、北歐、南亞、南美洲、東亞、南洋、西歐、大洋洲、中東。

公司堅持“求真、創新、務實、守信”質量方針，以創新引領產品發展，踏實進取，促進企業健康發展。

□ □ KUNYU Greenhouse Engineering Co., Ltd. relying on more than 20 years in Taiwan greenhouse technology and production experience. Focused on producing and selling soil-less culture planting facilities. We have innovated many patents.

□ □ Our core products: Vertical planting system, pipe planting system and Dutch bucket system and other Hydroponic products.

□ □ Operation range: NFT system, NFT PVC pipe, Pillar system, Dutch Bucket system, LED Supplementary light, all of them can be used independently or be used as greenhouse model.

□ □ Our advantages: We have established a planting system that occupied over 6 million m2 in the world. And we have achieved some fame as significant projects have been promoted and applied in some Chinese provinces.

□ □ Main markets include: South Europe, East Europe, Africa, Middle USA, North America, North Europe, South Asia, South America, East Asia, Southeast Asia, West Europe, Australia and Middle East.

□ □ We insist on the quality principles of Verity, Innovation, Pragmatic and Belief. We will always step up innovative products and promote development of our enterprise.



坤宇溫室工程有限公司
 KUNYU Greenhouse Engineering Co., Ltd.

工程類

Engineering



03

荷蘭桶
Dutch Bucket



04

75x50管道
75 x 50 PVC planting channel



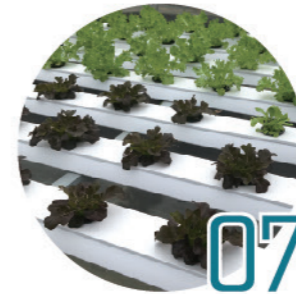
05

100x50管道
100 x 50 PVC planting channel



06

100x50開蓋種植管
100 x 50 open lid PVC planting channel



07

118x50開蓋管道
118 x 50 open lid PVC planting channel



08

120x80瓜果種植槽
120 x 80 planting channel for melon and fruit



09

100x100管道
100 x 100 PVC planting channel



10

50號種植杯
No. 50 planting cup



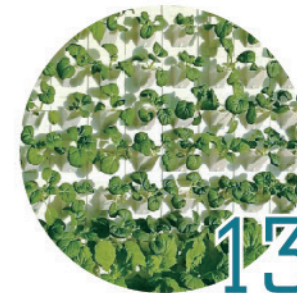
11

螺旋直立水培系統
Spiral upright hydroponic system



12

豎式拉鏈水培柱
Vertical zipper hydroponics pillar



13

牆體式水培盒
Wall planting hydroponic system

獨立系統

Independent system



16

獨立牆體式水培種植系統
Independent wall type hydroponic planting system



17

垂直種植塔
Vertical planting tower



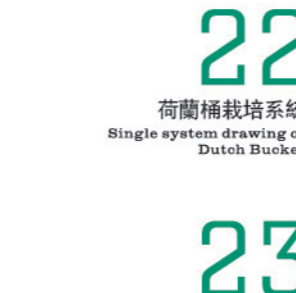
18

花瓣立柱雨淋水培
Rainfall hydroponics of petal column



21

螺旋直立水培獨立系統
Dutch Bucket system



22

荷蘭桶栽培系統
Single system drawing of Dutch Bucket



23

獨立豎式拉鏈水培系統
Independent vertical zipper hydroponic system



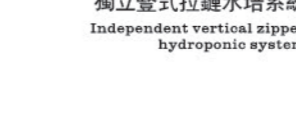
24

竹節式立柱水培種植系統
Bamboo upright pillar hydroponic growing system



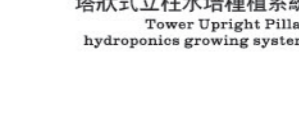
26

塔狀式立柱水培種植系統
Tower Upright Pillar hydroponics growing system



28

鏈條組合式牆體水培
Hydroponic Styrofoam vertical wall system



30

組合式牆體管道水培
Hydroponic Combined wall pipe system

Engineering



工程類



坤宇·温室

荷蘭桶

一個基于潮汐式灌溉栽培桶，給排液管道與荷蘭桶連接成一個完整系統。該模式最大優勢是中央排水系統保障營養液最佳安全高度。不存在“堵塞、缺水、積水”從而避免營養液過量積聚或水分缺乏問題。系統內所有作物水肥供給，吸收均勻。

荷蘭桶可根據不同植物各自的需求制定單孔或多孔的種植方案并隨時移動或重新設置。

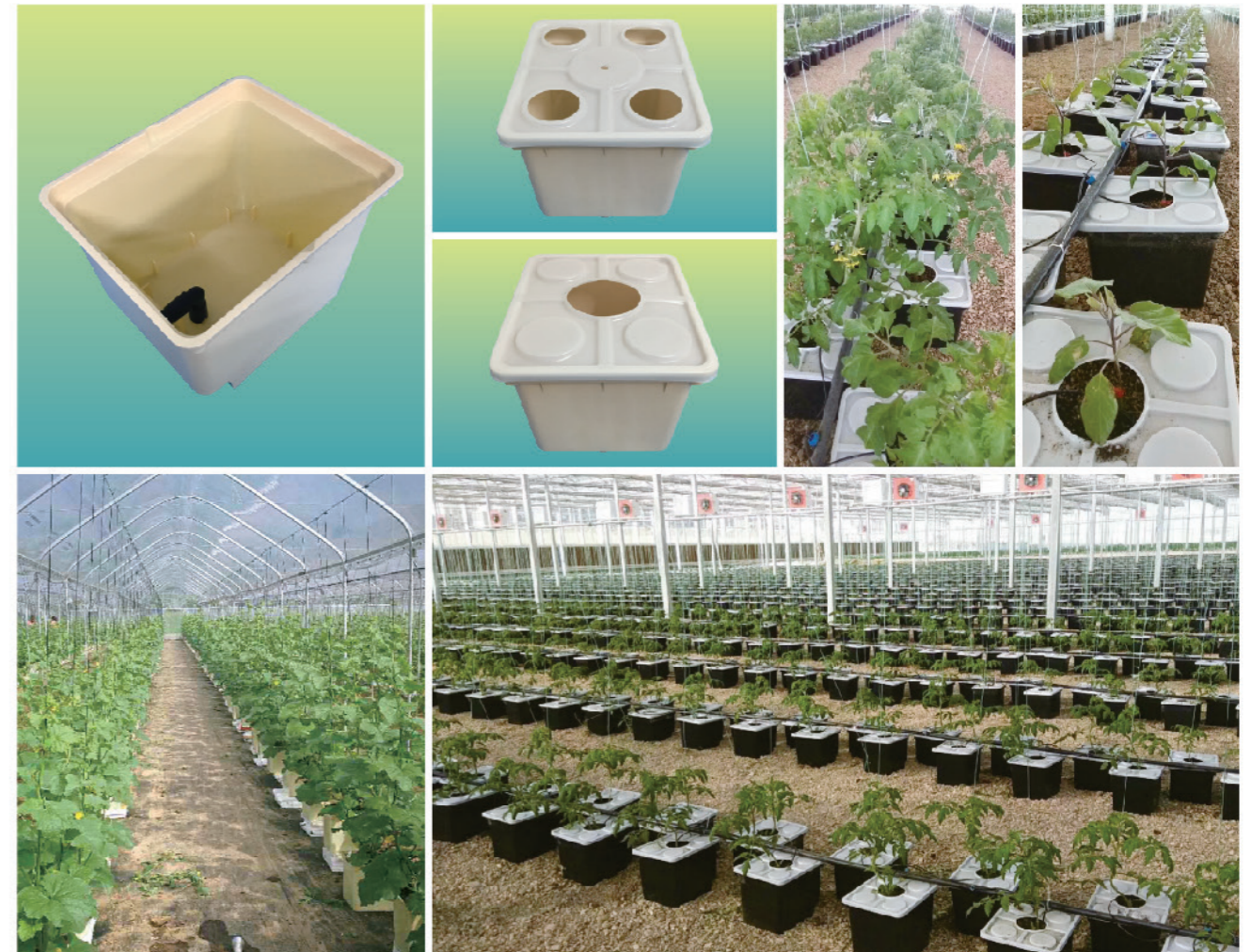
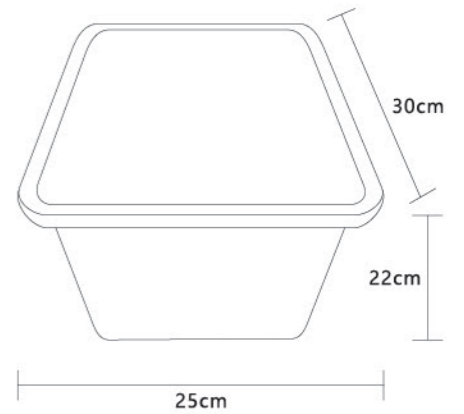
荷蘭桶廣泛運用于全球現代化水培農場，保證生產效率與食品安全。

Dutch Bucket

Dutch pail is used for gardening in a pail based on tidal irrigation, which is an integrated system consisted of liquid emission pipe and Dutch pail. The most obvious advantage of the model is central water emission system safeguarding the best security height of nutrient fluid. It will have no "blockage, water lack or stagnant water" that can avoid the problems of over nutrient fluid or water lack. The system will supply all necessary and balanced water and nutrition for crops.

Dutch pail can supply planting plan with single or multi- holes according to your requirement, and it could be moved or reset at any time.

Dutch pail has been widely used in global modern water cultivation farm that can improve productive efficiency and food security.





坤宇·溫室

75x50管道

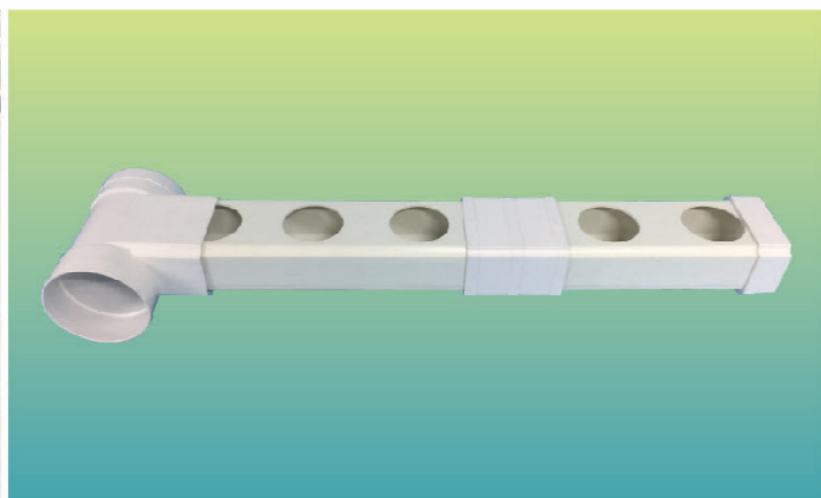
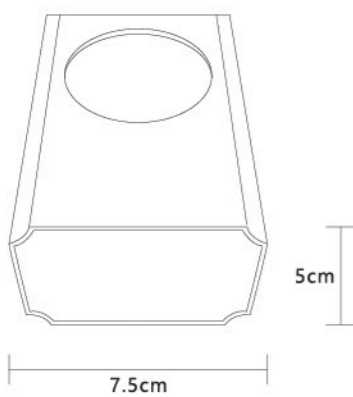
75x75管道式水培由塑料方管組成，種植孔以及種植間距可變性大。適用於水培或基質種質各種矮生花草地，葉類蔬菜，芽苗等。

可根據客戶制定多種種植方案，例如：平鋪、A字型、立體種植方案等。

75x50 PVC planting channel

Water cultivation using 75x75 pipe is made by plastic square pipe, its planting hole and planting distance can be adjusted. It can be used for water cultivation or ground substance, germ plasm and various dwarf flower grass field, leaf vegetable and seedlings.

According to your requirement, we can supply abundant plant plans, such as plane, type A, solid plant plan.



坤宇·溫室

100x50管道

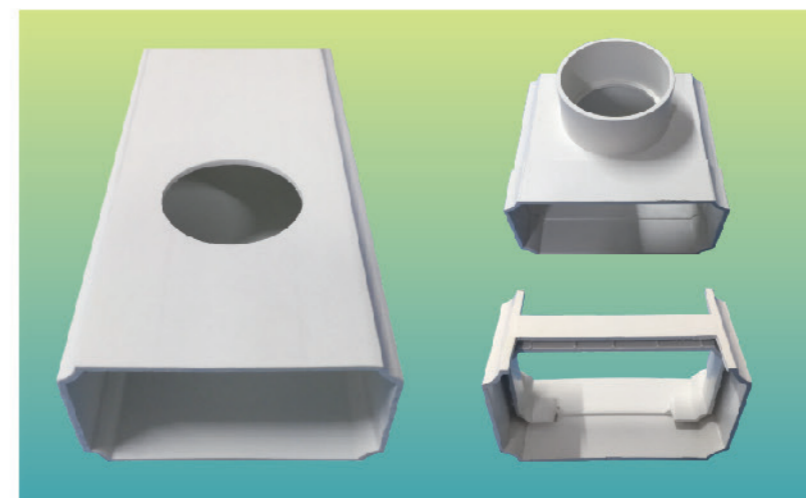
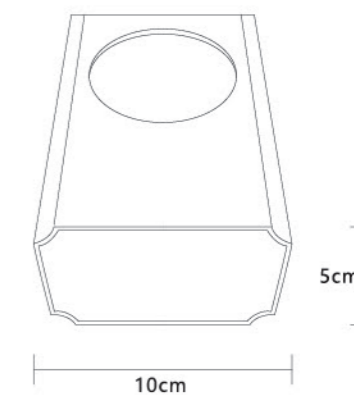
100x50管道式水培由塑料方管組成，種植孔以及種植間距可變性大。適用於水培+基質復核式種植各葉類蔬菜，草莓。

可根據客戶制定多種種植方案，例如：平鋪、A字型、立體種植方案等。

100x50 PVC planting channel

Water cultivation using 100x50 pipe is made by plastic square plastic pipe, its planting hole and planting distance can be adjusted. It can be used for water cultivation or planting leaf vegetable and strawberry by ground substance-based mixed plant.

According to your requirement, we can supply abundant plant plans, such as plane, type A, solid plant plan.





坤宇·溫室

100x50開蓋種植管

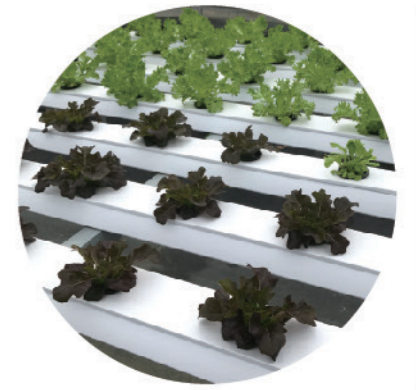
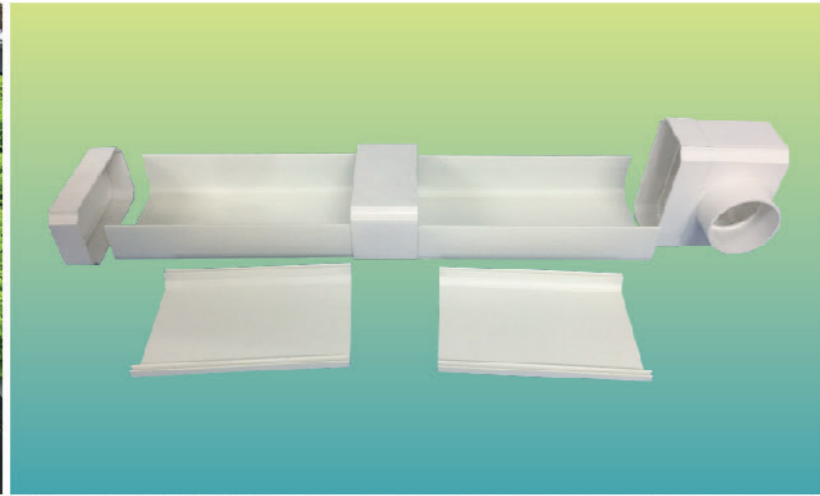
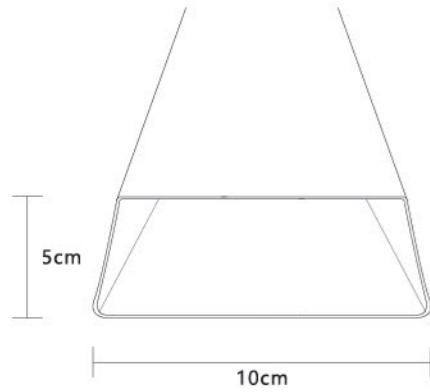
100x50管道式水培由塑料方管組成，種植孔以及種植間距可變性大。適用於水培+基質復核式種植各葉類蔬菜，草莓。

可根據客戶制定多種種植方案，例如：平鋪、A字型、立體種植方案等。

100×50 open lid PVC planting channel

Water cultivation using 100×50 pipe is made by plastic square plastic pipe, its planting hole and planting distance can be adjusted. It can be used for water cultivation or planting leaf vegetable and strawberry by ground substance-based mixed plant.

According to your requirement, we can supply abundant plant plans, such as plane, type A, solid plant plan.



坤宇·溫室

118x50開蓋管道

118x50管道式水培由塑料方管組成，開蓋式設計有利于管道內清洗，種植孔以及種植間距可變性大。

適用於水培+基質復核式種植各葉類蔬菜，草莓。

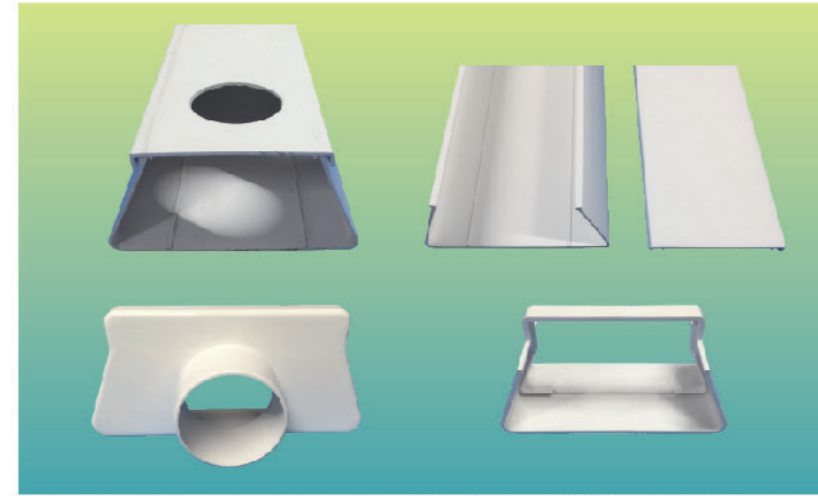
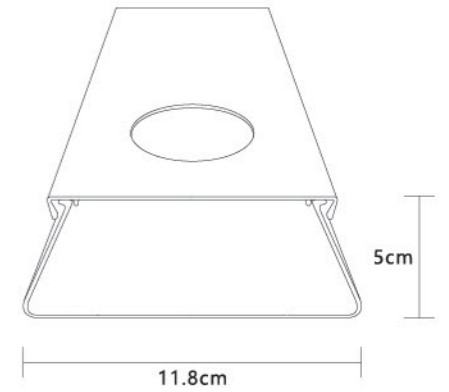
可根據客戶制定多種種植方案，例如：平鋪、A字型、立體種植方案等。

118×50 open lid PVC planting channel

Water cultivation using 118×50 pipe, opening design is convenient for clean internal part of pipes, its planting hole and planting distance can be adjusted.

It can be used for water cultivation or planting leaf vegetable and strawberry by ground substance-based mixed plant.

According to your requirement, we can supply abundant plant plans, such as plane, type A, solid plant plan.





坤宇·溫室

120x80瓜果種植槽

120x80管道式水培由塑料方管組成，開蓋式設計有利于管道內清洗，種植孔以及種植間距可變性大。

適用於水培+基質復核式種植各葉類蔬菜，草莓。更有大根系的瓜果類種植如：西紅柿、茄子。

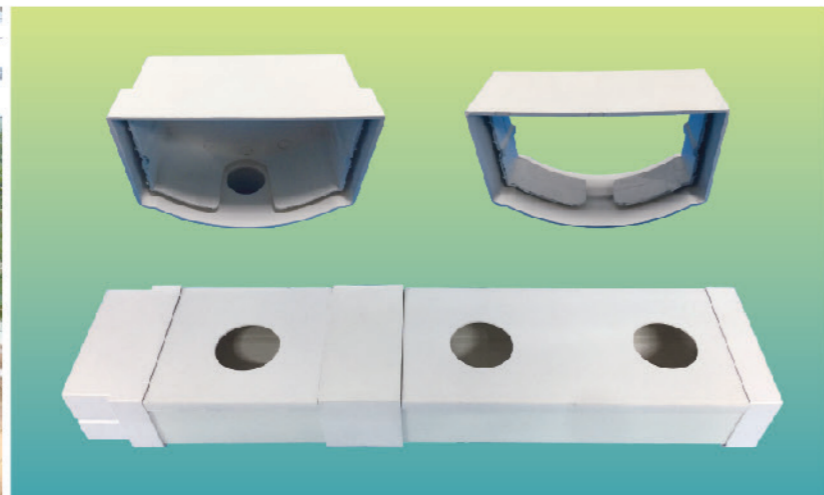
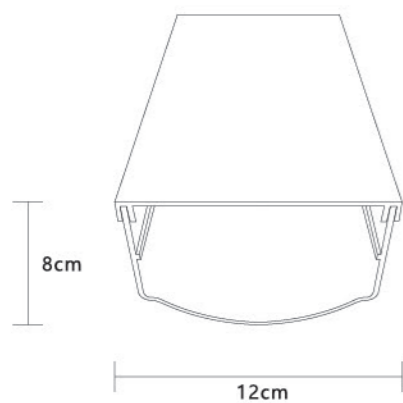
可根據客戶制定多種種植方案，例如：平鋪、A字型、立體種植方案等。

120×80 planting channel for melon and fruit

Water cultivation using 120×80 pipe, opening design is convenient for clean internal part of pipes, its planting hole and planting distance can be adjusted.

It can be used for water cultivation or planting leaf vegetable and strawberry by ground substance-based mixed plant. Melon and fruit plants with big roots can be planted by this pipe, including tomato and eggplant.

According to your requirement, we can supply abundant plant plans, such as plane, type A, solid plant plan.



坤宇·溫室

100x100管道

100x100管道式水培由塑料方管組成，開蓋式設計有利于管道內清洗，種植孔以及種植間距可變性大。

適用於水培+基質復核式種植各葉類蔬菜，草莓。更有大根系的瓜果類種植如：西紅柿、茄子。

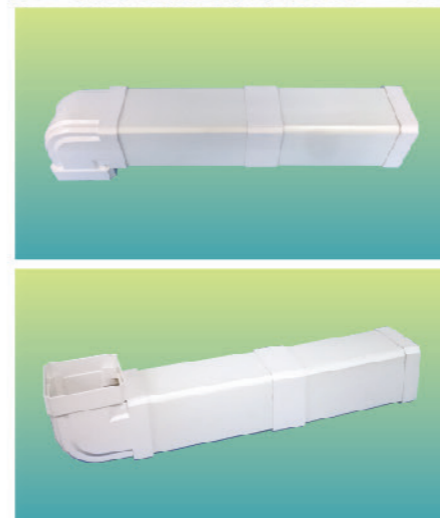
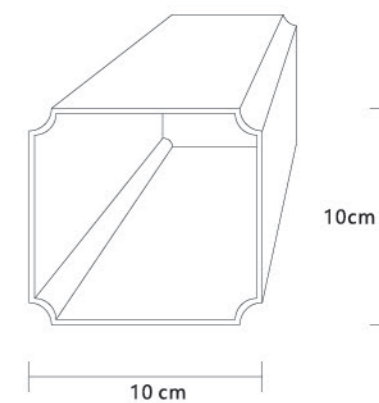
可根據客戶制定多種種植方案，例如：平鋪、A字型、立體種植方案等。

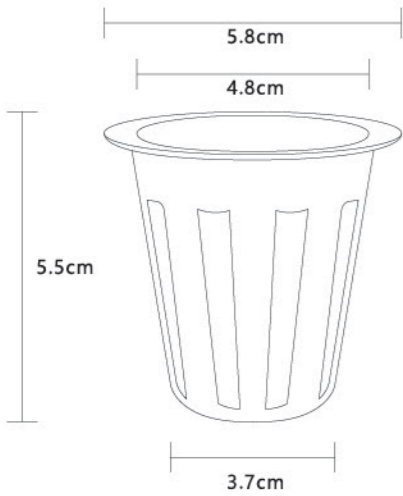
100×100 PVC planting channel

Water cultivation using 100×100 pipe, opening design is convenient for clean internal part of pipes, its planting hole and planting distance can be adjusted.

It can be used for water cultivation or planting leaf vegetable and strawberry by ground substance-based mixed plant. Melon and fruit plants with big roots can be planted by this pipe, including tomato and eggplant.

According to your requirement, we can supply abundant plant plans, such as plane, type A, solid plant plan.





坤宇·溫室

50號種植杯

種植槽由食品級塑料專業工藝加工而成，無毒無味，尺寸合理適用於各類作物。有利於保護根部，促進營養液吸收和空氣流通。

適用途徑：①與育苗種植雙組份營養土塊配合使用；②有機緩釋肥營養土裝在種植袋中使用；③和種植棉配合到氣霧栽培機中使用。

No. 50 planting cup

Plant gutter is made by food level plastic with professional technical process. No poison, no smell. Its size can adapt to various crops that benefit root and promote nutrient fluid absorption and air flow.

Appropriate approach: ① being used with nutrient soil block of seedling cultivation double team amount; ② being packed in plant bag of organic slowly-releasing nutrient soil; ③ being used with planting cotton in the air cultivation machine.



坤宇·溫室

螺旋直立水培系統

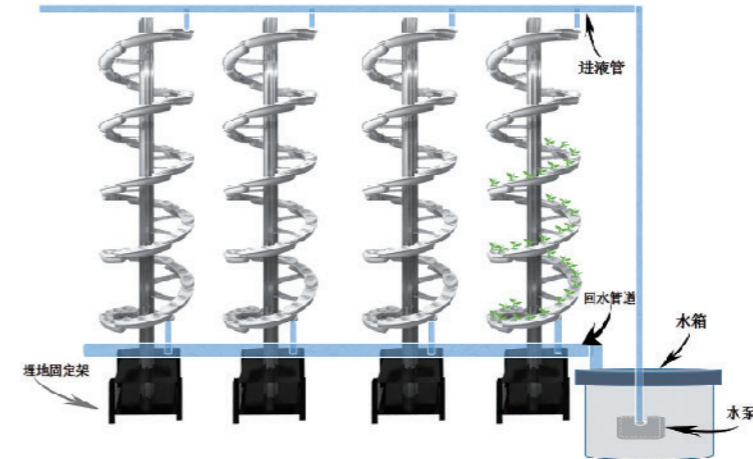
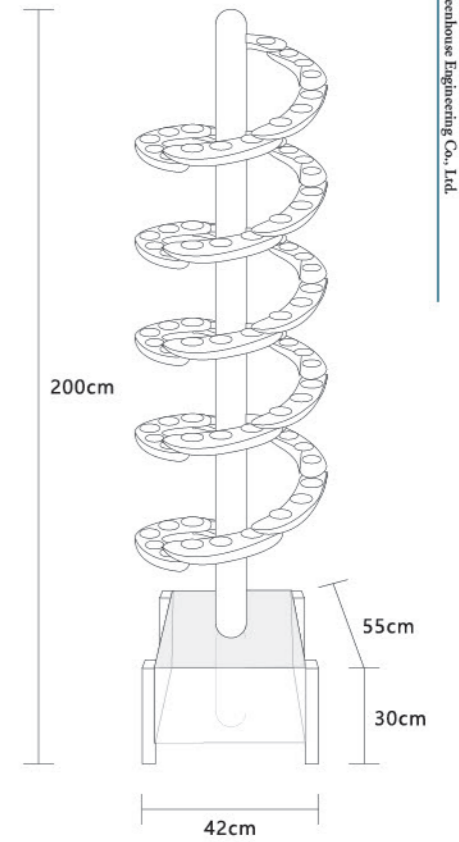
特點一：螺旋立體水培系統設施由柱體固定裝置（頂部或底部），多個螺旋合組成。水路由頂部順的螺旋合回到底部水箱。

特點二：具有節能環保、綠化容量大、美觀易管理的特點，在美化綠化以及都市農業中均具有廣闊的前景。全自動水循環系統，高效安全。

特點三：可同時根據各類植物需求同時栽培各種矮生、垂吊草本花卉植物和各種葉類蔬菜。具有節能環保、綠化容量大、美觀易管理的特點，在美化綠化以及都市農業中均具有廣闊的前景。

Spiral upright hydroponic system

Feature 1: Facility of helix upright water cultivation system is fixed by pillar (on top or button). It has several helix points, and water channel will make the helix point go back to water tank from top.
Feature 2: It is environmental friendly, energy saving, beautiful and has big green volume and can be easily maintained. It has a good application prospect in beautification, greening and urban agriculture. Full automatically water recycling system can ensure security and safety.
Feature 3: It can meet demands of various plants, cultivating various, vertical, and hanging herb flower plants at the same time, also including leaf vegetables. It is environmental friendly, energy saving, beautiful and has big green volume and can be easily maintained. It has a good application prospect in beautification, greening and urban agriculture.





坤宇·溫室

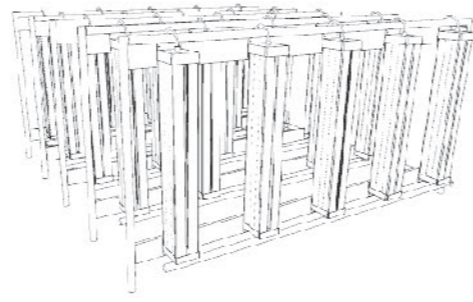
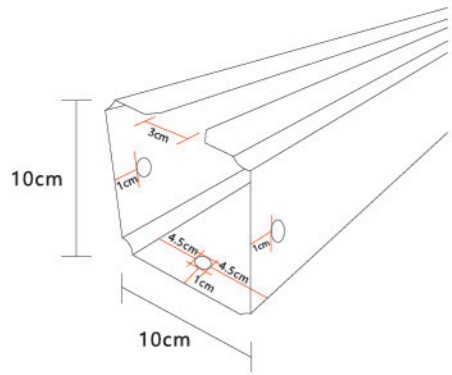
豎式拉鏈水培柱

占用空間小、安裝方便、組合靈活，可懸挂于任何牆體或窗臺、陽臺、圍欄。該種植模式節約水肥資源、高效節能并且易于打理。

豎式水培種植系統是都市人體驗種植樂趣、品嚐自種蔬菜的健康好滋味的不二之選。同時可用于種植景觀植物，減少甲醛增加室內含氧量，具有降溫的功能，增加居家情調，美觀健兩不誤。

Vertical zipper hydroponics pillar

It occupies small space, can be easily equipped with flexible assembled. It could be hung on any wall, window, balcony or fence. This planting model can save water resource, and effectively save energy and be easily maintained. Column water cultivation system is the best choice for urban people experiencing the pleasure of planting and taste healthy vegetables cultivated by themselves. Meanwhile, it could be used for planting landscape plants to reduce formaldehyde and increase O², and decrease temperature at the same time. It also can improve home decoration and make it more beautiful.



真正實現了立體種植需要的長期穩定可靠的自動化灌溉裝置間形成遞進式自流滲灌體系：
穩定可靠：水分不經過種植介質流入，不會堵塞或失效，可靠性強。水分從底部吸收并通過毛細現象上升，水分供應均勻持續不會沖刷種植介質和危害植物保證通氣良好，因粒結構不被破壞避免板結；
清潔環保：水分不會打濕牆面，不外濺。蚊蠅難以接觸到水，不易滋生蚊蠅；
節水性好：水分利用率高，需水量僅為普通澆灌栽培方法的1/5 1/10；
水肥一體：在灌溉的同時還能進行有效的施肥。

坤宇·溫室

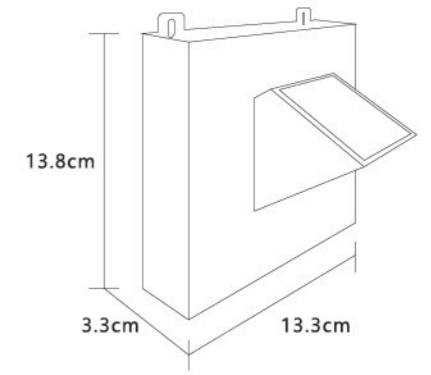
牆體式水培盒

適用於立體栽培景觀，立體生態牆塑造，水培植物及魚菜共生系統等領域可任意擺放并且固定，利于空間充分利用。

功能：①垂直串聯無限延伸。②頂層設置入水位，既可垂直灌溉。③下流式水道設計，免去逐層安裝水道及水泵。
④每平方使用59個。

Wall planting hydroponic system

It is adaptable for solidly cultivating landscape plant as well as building solid ecologic wall, water cultivated plants and. No position limitation, it can be fixed as you wish that could improve space utilization. Function: ① Unlimited vertical series extension, ② set water entry position at top that could irrigate vertically, ③ downward water channel design that avoid to set water channel and pump at every level, ④ 59 for one square meter.



Independent System




KUNYU

獨立
系統



坤宇·溫室

獨立牆體式水培種植系統

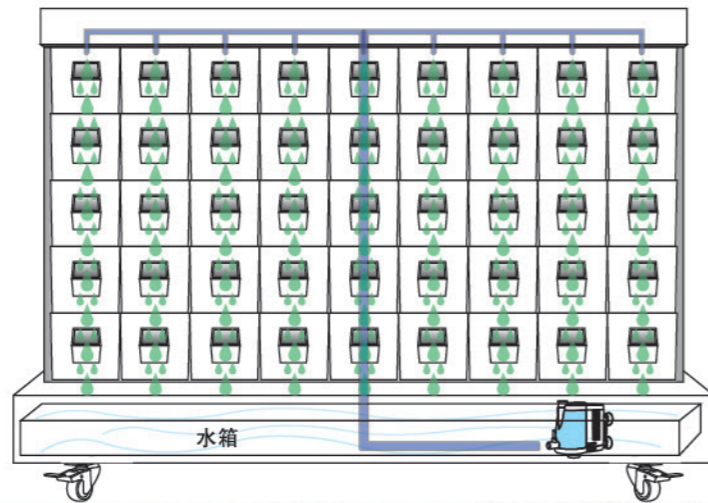
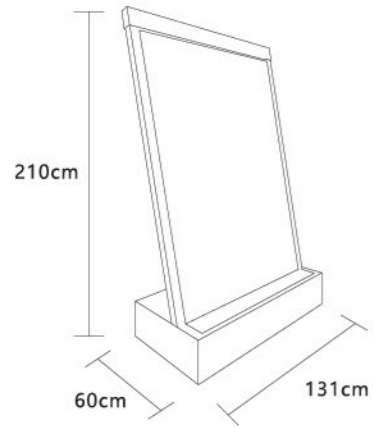
適用於立體栽培景觀，立體生態牆塑造，水培植物及魚菜共生系統等領域可任意擺放並且固定，方便空間充分利用。

A2001型種植機，此傾斜式種植機傾斜角度為15度，便于菜苗充分吸收陽光及穩定性。適用於家庭自助式種植，產品適合擺放在陽臺、露天樓臺，庭院等地，即自成風景，可種植117棵菜苗。

Independent wall type hydroponic planting system

It is adaptable for solidly cultivating landscape plant as well as building solid ecologic wall, water cultivated plants and. No position limitation, it can be fixed as you wish that could improve space utilization.

Type A2001 planting machine. The oblique angle of the oblique planting machine is 15°, which is convenient for absorbing sun light and keeping stable. It is adaptable for home self-assistant planting. It could be set on balcony, outdoor station and yard that looked like a landscape. It can plant 117 vegetable seedlings.



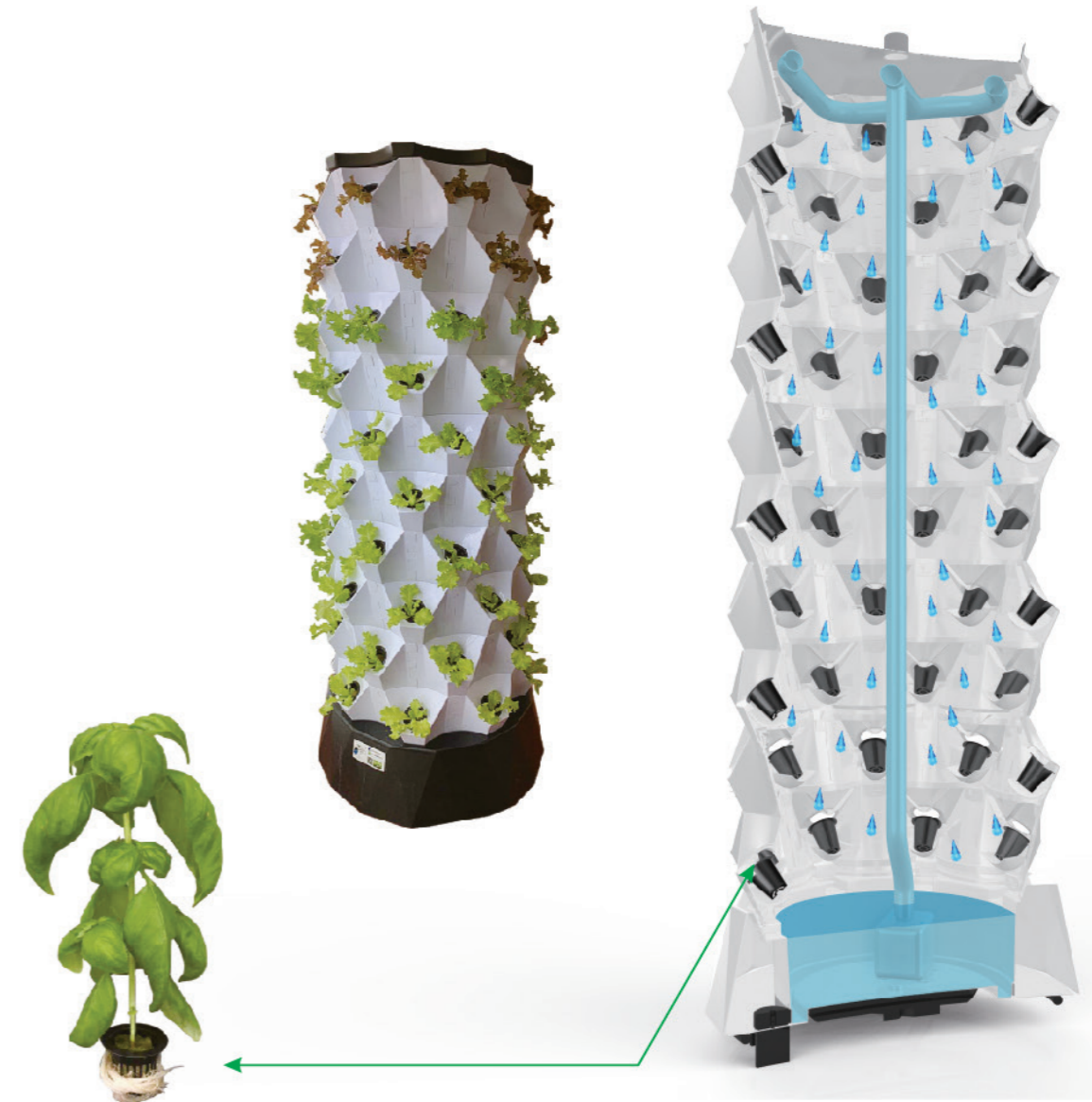
坤宇·溫室

垂直種植塔

垂直種植塔設施是由特制的栽培鉢組合而成固定裝置，柱體不僅能充分利用有限的栽培空間，而且能滿足不同的布局形式營造出美麗的立體農業景觀效果。

Vertical planting tower

Vertical planting tower is a fixed device composed of special cultivation bowls. The column can not only make full use of the Limited cultivation space, but also satisfy different layout forms to create a beautiful three-dimensional agricultural landscape effect.





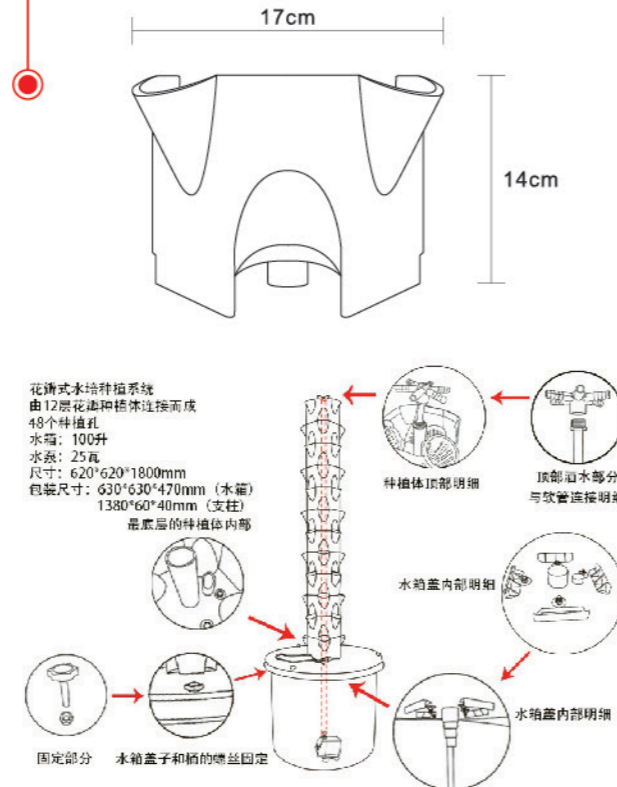
坤宇·温室

花瓣立柱雨淋水培

花瓣立柱雨淋水培設施是由特制的栽培鉢組合而成固定裝置，四瓣型種植盆配套水培種植杯，柱體不僅能充分利用有限的栽培空間，而且能滿足不同的布局形式營造出美麗的立體農業景觀效果。

Rainfall hydroponics of petal column

Petal column rain water culture facility is a fixed device composed of a special cultivation bowl. Four-petal planting basin is equipped with water culture cup. The column can not only make full use of the limited cultivation space, but also satisfy different layout forms to create a beautiful three-dimensional agricultural landscape effect.





坤宇·溫室

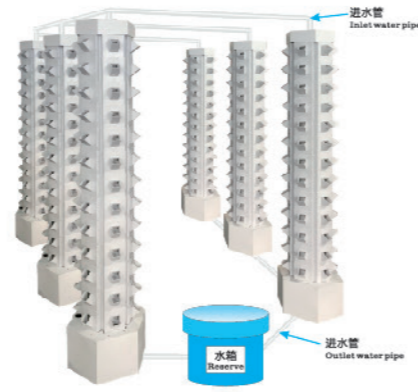
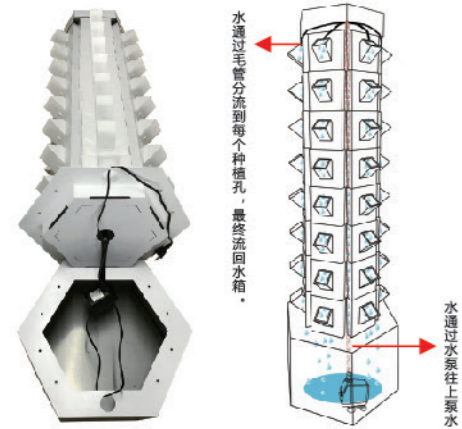
六邊形水培種植系統

六角立柱栽系統同6條支撐鋁將牆體組合起來，形成以六角形栽培系統，連接通水管到頂部，蓋上頂蓋。連接水泵和塔式種植柱體設備放在儲水箱上。

適用範圍：①觀光溫室空間種植與美化；②建築物外牆角立體種植；③定制溫室大棚大規模蔬菜、花卉種植。

Hexagonal hydroponic growing system

Hexagonal upright pillar cultivation system consists of 6 supporting aluminum pillars as a wall that form a hexagonal cultivation system. Water pipe is connected to top with gap, which connect water pump with tower planting pillar facility on the water tank. Adaptable range: ① planting and beautification in landscape greenhouse; ② solidly planting on outside walls of architectural; ③ customized greenhouse for planting many vegetables and flowers.



坤宇·溫室

螺旋直立水培獨立系統

特點一：螺旋立體水培系統設施由柱體固定裝置（頂部或底部），多個螺旋合組成。水路由頂部順的螺旋合回到底部水箱。

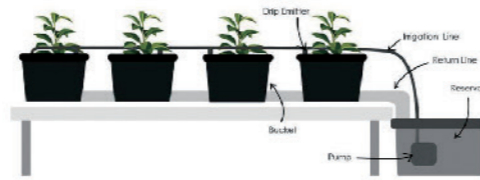
特點二：具有節能環保、綠化容量大、美觀易管理的特點，在美化綠化以及都市農業中均具有廣闊的前景。全自動水循環系統，高效安全。

特點三：可同時根據各類植物需求同時栽培各種矮生、垂吊草本花卉植物和各種葉類蔬菜。具有節能環保、綠化容量大、美觀易管理的特點，在美化綠化以及都市農業中均具有廣闊的前景。

Dutch Bucket system

Feature 1: Facility of helix upright water cultivation system is fixed by pillar (on top or button). It has several helix points, and water channel will make the helix point go back to water tank from top.
Feature 2: It is environmental friendly, energy saving, beautiful and has big green volume and can be easily maintained. It has a good application prospect in beautification, greening and urban agriculture. Full automatically water recycling system can ensure security and safety.
Feature 3: It can meet demands of various plants, cultivating various, vertical, and hanging herb flower plants at the same time, also including leaf vegetables. It is environmental friendly, energy saving, beautiful and has big green volume and can be easily maintained. It has a good application prospect in beautification, greening and urban agriculture. ng aluminum pillars





坤宇·溫室

荷蘭桶栽培系統

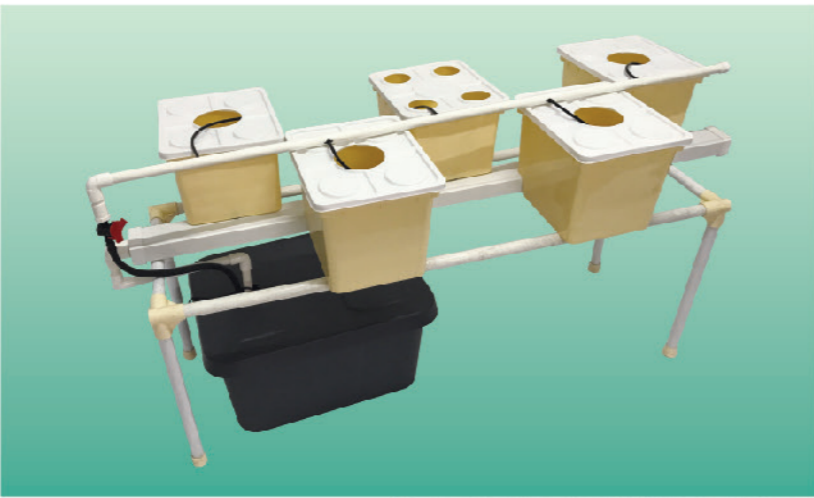
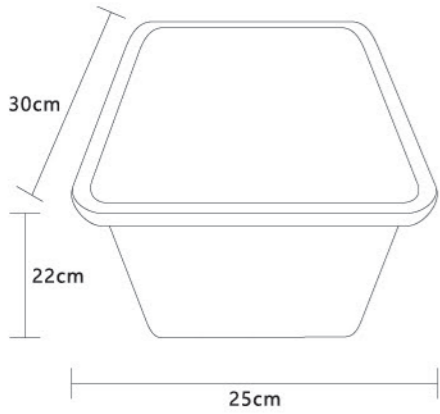
一個基于潮汐式灌溉栽培桶，給排液管道與荷蘭桶連接成一個完整系統。該模式最大優勢是中央排水系統保障營養液最佳安全高度。不存在“堵塞、缺水、積水”從而避免營養液過量積聚或水分缺乏問題。系統內所有作物水肥供給，吸收均勻。

荷蘭桶可根據不同植物各自的需求制定單孔或多孔的種植方案並隨時移動或重新設置。

荷蘭桶廣泛運用于全球現代化水培農場，保證生產效率與食品安全。

Dutch Bucket

Dutch pail is used for gardening in a pail based on tidal irrigation, which is an integrated system consisted of liquid emission pipe and Dutch pail. The most obvious advantage of the model is central water emission system safeguarding the best security height of nutrient fluid. It will has no "blockage, water lack or stagnant water" that can avoid the problems of over nutrient fluid or water lack. The system will supply all necessary and balanced water and nutrition for crops. Dutch pail can supply planting plan with single or multi- holes according to your requirement, and it could be moved or reset at any time. Dutch pail has been widely used in global modern water cultivation farm that can improve productive efficiency and food security.



坤宇·溫室

獨立豎式拉鏈水培系統

占用空間小、安裝方便、組合靈活，可懸挂于任何牆體或窗臺、陽臺、圍欄。該種植模式節約水肥資源、高效節能并且易于打理。

豎式水培種植系統是都市人體驗種植樂趣、品嘗自種蔬菜的健康好滋味的不二之選。同時可用于種植景觀植物，減少甲醛增加室內含氧量，具有降溫的功能，增加居家情調，美觀健兩不誤。

Independent vertical zipper hydroponic system

It occupies small space, can be easily equipped with flexible assembled. It could be hung on any wall, window, balcony or fence. This planting model can save water resource, and effectively save energy and be easily maintained. Column water cultivation system is the best choice for urban people experiencing the pleasure of planting and taste healthy vegetables cultivated by themselves. Meanwhile, it could be used for planting landscape plants to reduce formaldehyde and increase O₂, and decrease temperature at the same time. It also can improve home decoration and make it more beautiful.





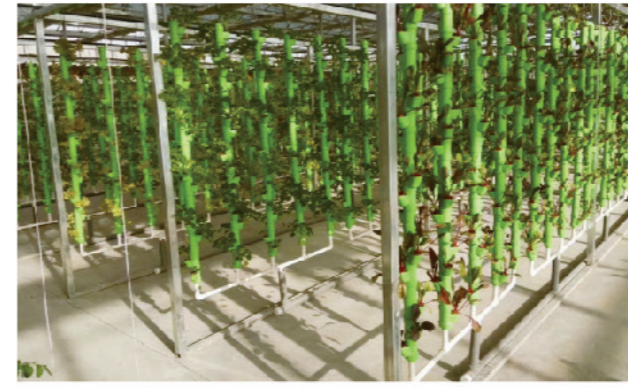
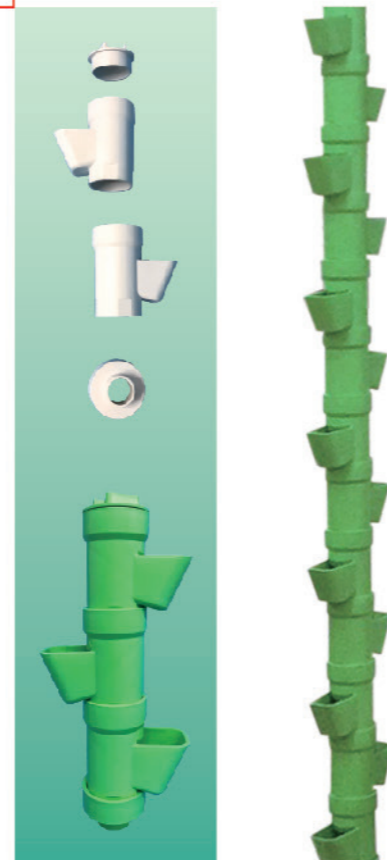
坤宇·溫室

竹節式立柱水培種植系統

該水培系統由食品級PP材質構成，在正常情況及高溫情況下不會溶出有害物質，可以在種植方面安全使用。此水培系統是由竹節式零件一個接一個拼接而成，加上進水套裝，回水套裝，水箱，水泵從而成為一個完整的系統。系統由水泵往上供水到達頂部分流道個個竹節配件處，流往每個分流處，最後流回底部，水流回水箱。從而完成一次運作。此類系統可以種植生菜，沙拉菜，草本植物，菜心，香菜等矮生植物。

Bamboo upright pillar hydroponic growing system

□ This water planting system takes food level PP materials. No matter in normal condition or high temperature, it won't generate harmful substances that could be used safely in planting. The system is an integrated system that consists of bamboo knot components one by one, and water entry-circle set, water tank and water pump. Water pump draw water upwards to every bamboo knot component of channels at top, then flowing to every branch, and flow to bottom. At last, water flow back to water tank. That's a completed operation. It could be used for planting dwarf plants, including lettuce, salad vegetables, herb plants, heart of cabbage plants and parsley.





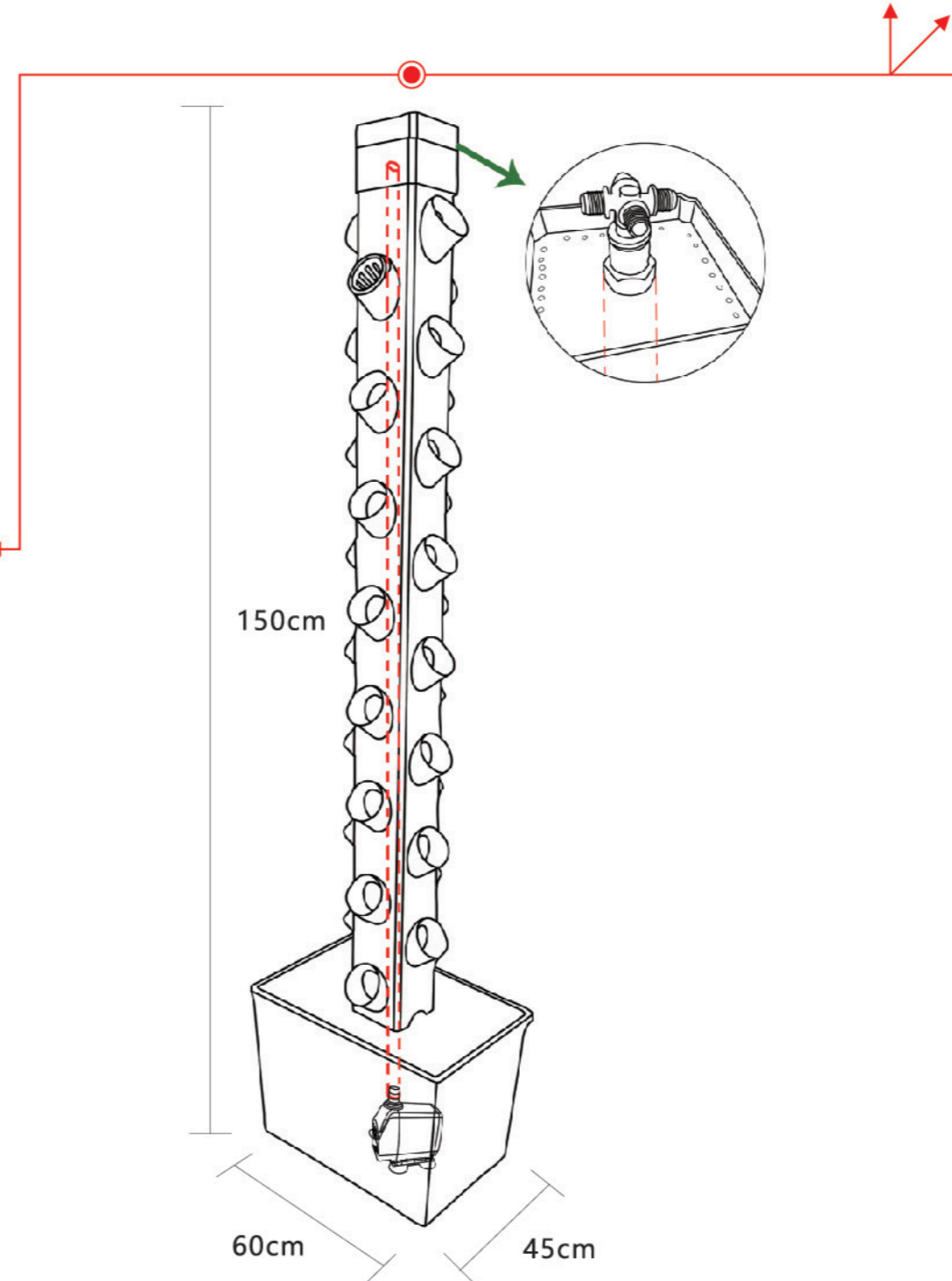
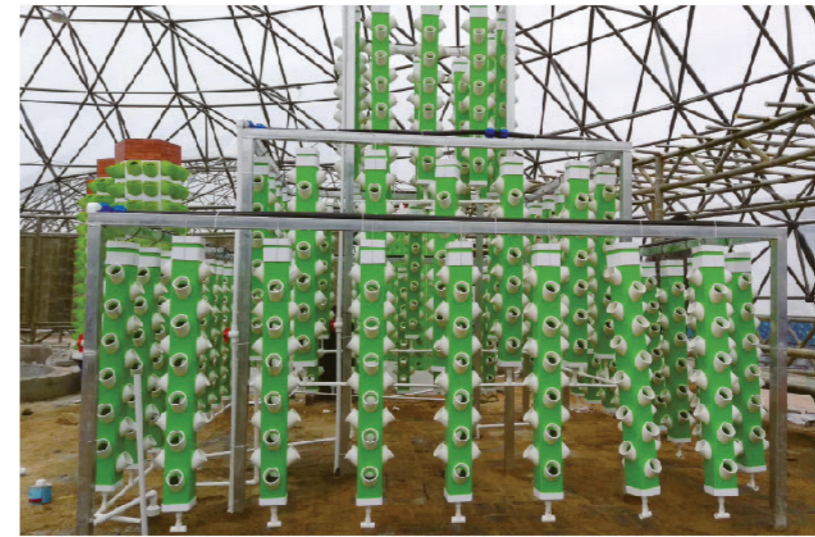
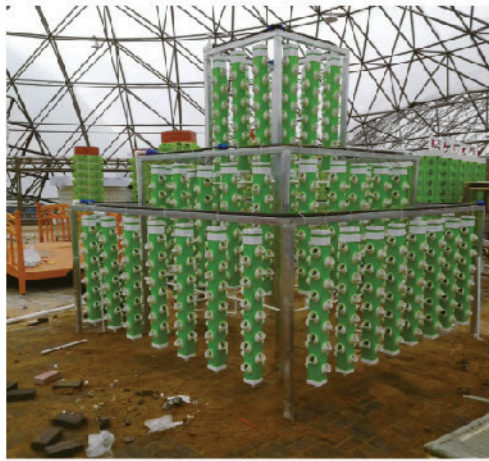
坤宇·溫室

塔狀式立柱水培種植系統

該水培系統是由食品級PVC材質構成，在常溫情況下不會溶出有害物質，可以在種植方面安全使用。此水培系統是由100x100mm水培管四邊開孔而成，在由經過裁切后的63PVC管與100x100mm管拼接而成，再連接上水泵，水箱，進水套裝和頂部灑水系統從而完成一個完整的系統。系統由水泵從管內進水管往上泵水到達頂部，通過頂部的灑水系統讓水流到四周，水從四周開孔處流向管壁四周，經過植物根部往下流，最后流回水箱。從而完成一次運作。此類系統可以種植生菜，沙拉菜，草本植物，菜心，香菜等矮生植物。

Tower Upright Pillar hydroponics growing system

This water planting system takes food level PVP materials. No matter in normal condition or high temperature, it won't generate harmful substances that could be used safely in planting. The water planting system takes 100x100mm water planting pipes. We drill holes around the pipes, and connect them with out 63 PVC pipe, then install relevant water pump, water tank, water entry set, and top watering system. Water is drawn to top through pipes, and top watering system lead water into lower places. Water flow into pipes through holes and goes downwards while be absorbed by roots. At last, water flow back to swater tank. That's a completed operation. It could be used for planting dwarf plants, including lettuce, salad vegetables, herb plants, heart of cabbage plants and parsley.





坤宇·温室

鏈條組合式牆體水培

設施構成：該設施由“鏈式種植槽（850x220x120）、定植杯及營養液供回液管路系統”等組成。

設施特點：種植槽為左右鏈式搭接、上下串疊疊加，用軸管固定成牆，安裝簡便整體性強、封閉性好；

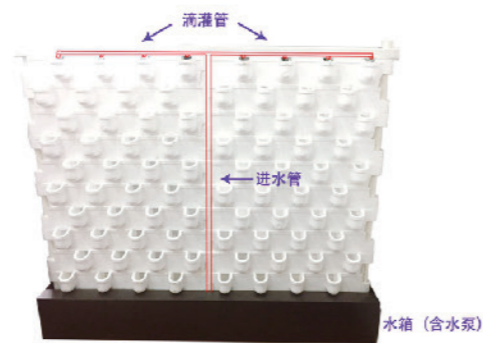
鏈條式組拼搭接可以使牆體變換立體造型，有利于立體牆的景觀塑造；配套專用U型定植杯，不僅具有保護牆體定植孔的作用，還起到方便植物育苗、定植和采收的功能。

設施用途：栽培作物可用于各種矮生花草、垂吊花草、葉菜、草莓等的立體栽培。

適用領域：溫室功能及主題分區的生態隔離牆及其植物栽培；生態餐廳包間生態景牆裝飾及植物栽培；休閒觀光園、主題公園立體迷宮牆植物栽培。

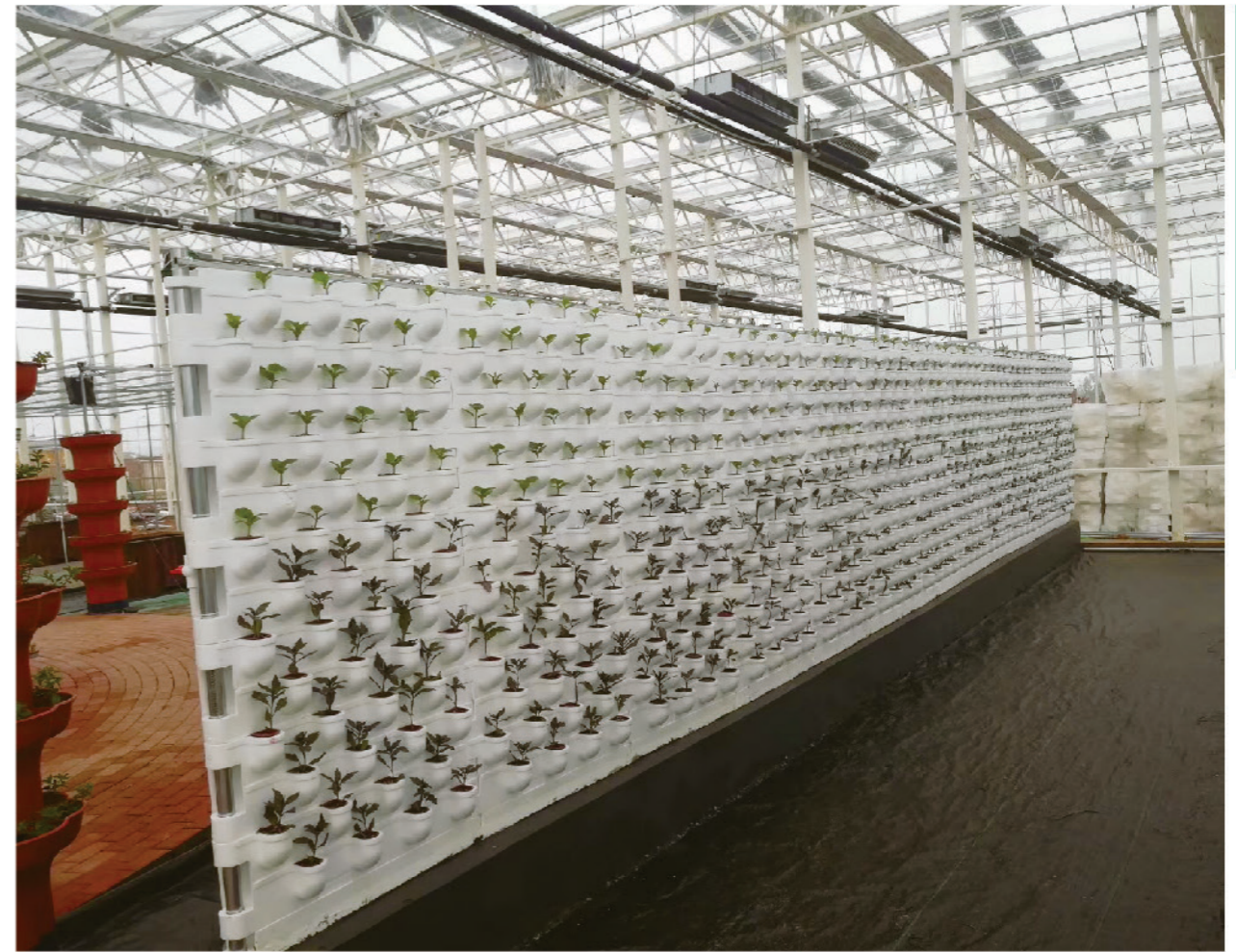
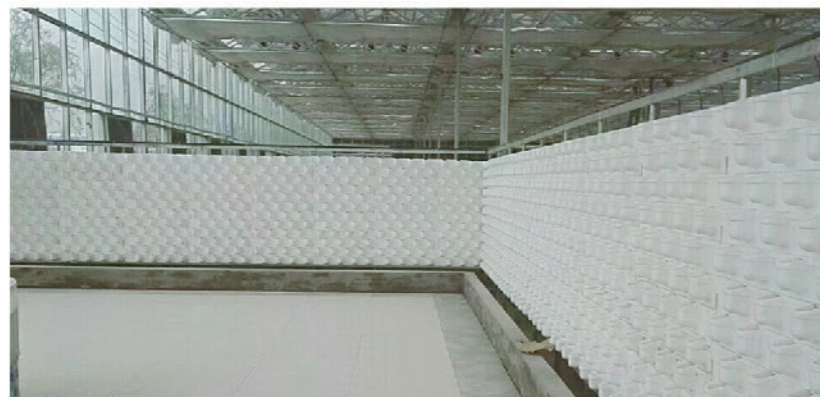
Hydroponic Styrofoam vertical wall system

Including: Hydroponic styrofoam kit (850×220×120)、net cup ,inlet and outlet water system .
Characteristics : Hydroponic styrofoam kit is a left-right chain lap joint, stacked one on top of the other, and fixed to a wall with round tube. Easy to install, strong overall and good sealing; Hydroponic Styrofoam kit can transform the wall into a vertical shape, which is conducive to the landscape of the vertical wall; Using U type net cup ,It not only has the function of protecting the colonization hole of the wall, but also functions to facilitate plant seedling, planting and harvesting.
Application : For crops : It can be used for vertical growth of various dwarf flowers, hanging flowers, leafy vegetables, strawberries, etc.
For area :Greenhouses, restaurants, hotels, theme parks, sightseeing parks, plant labyrinths, etc.



進水管連接水泵，水通過水泵在中间的進水管往上泵水，到達頂部后

通過滴灌管流向各个栽培体，水往低处流，最终流回水箱，达到循环效果。





坤宇·溫室

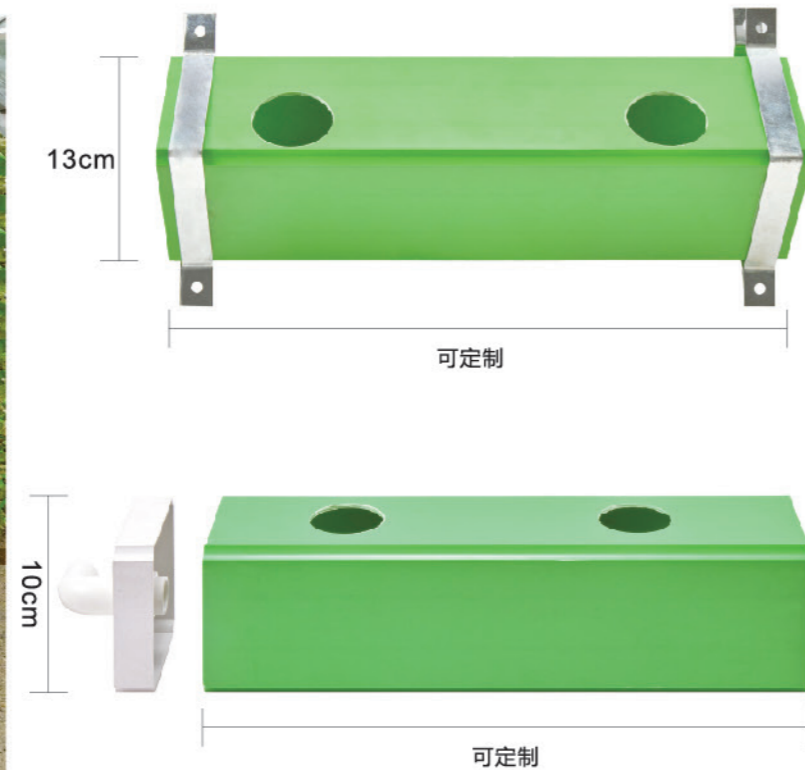
組合式牆體管道水培



組合式牆體管道水培設施由PVC-U塑料管道，管道支撐架，回液管路等組成。組合式牆體管道水培是利用牆體的空間特征和便于組裝造型的特點而開發出一種新型栽培模式，可以根據生產和觀光的不同需求，構建出不同形狀的“栽培牆板”及“四方立體栽培”，既可以附着在建築物表面，也可以通過牆體骨架而建成栽培牆。適宜牆面栽培的植物包括：各種葉菜、矮生花卉及草莓等作物。牆面栽培不僅能大大提高土地利用效率，增加產量，還可以通過不同顏色植物的搭配及栽培牆本身形狀特性。

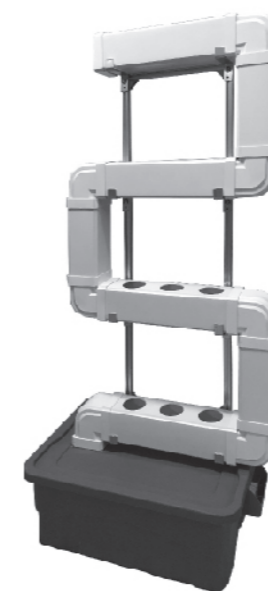
hydroponic Combined wall pipe system

It made of PVC - U pipe ,including rack , inlet and outlet water kits . Hydroponic Combined wall pipe system is a new cultivation mode developed by utilizing the spatial characteristics of the wall and the characteristics of easy assembly. According to the different needs of production and sightseeing, we can construct different types of "cultivated wall panels" and "four-dimensional three-dimensional cultivation", which can be attached to the surface of the building or built into the cultivation wall through the wall skeleton. Plants suitable for wall cultivation include: various leafy vegetables, dwarf flowers and strawberries. Wall pipe system can not only greatly improve the land utilization rate, increase the yield, but also through the matching of different color plants and the shape characteristics of the cultivation wall itself.



坤宇·溫室

小型系統 Small system



圖冊上展示本公司部分產品，更多產品信息請與我司聯系！

The atlas shows some of the company's products, more product information, please contact with us.

